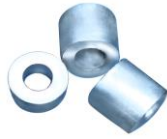


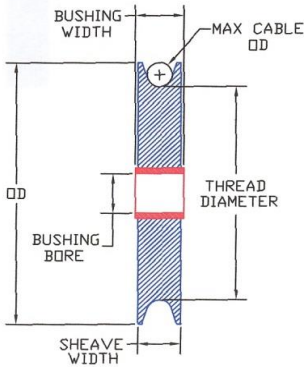
SMALL CABLE SHEAVES

1-1/2" to 5" STEEL SHEAVES

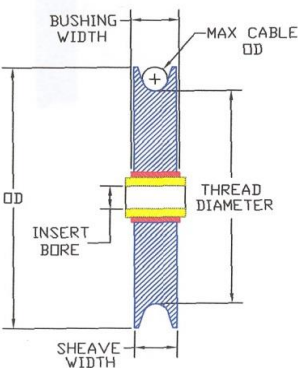


Note:

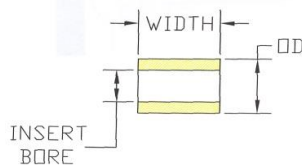
Ships from stock
 Turned from cold drawn bar stock
 Zinc Electroplated
 Bronze bearings are designed for high load and medium speed.
 Oil-impregnated for permanent self lubrication
Also available in Stainless Steel



Steel Sheaves with Bronze Bearings (1-1/2" to 5")									
OD	Maximum Cable Size	Tread Diameter	Bearing Bore	Sheave Width	Bearing Width	Weight Lbs	WLL Lbs	Item #	Sell Price
1 1/2	3/16	1	1/2	7/16	15/32	0.2	525	100003	3.97
2	3/16	1 1/2	1/2	7/16	15/32	0.3	600	100007	5.39
2 1/2	1/4	2	1/2	7/16	15/32	0.5	685	100011	8.48
3	1/4	2 1/2	1/2	7/16	15/32	0.8	800	100015	11.15
3	5/16	2 1/2	1/2	7/16	15/32	0.8	800	100019	11.15
3 1/2	5/16	3	3/4	5/8	11/16	1.3	1550	100021	15.99
3 1/2	3/8	3	3/4	5/8	11/16	1.3	1550	100023	15.99
4	3/8	3 1/4	3/4	5/8	11/16	1.8	1700	100025	25.08
5	3/8	4 1/4	3/4	5/8	11/16	2.9	1850	100027	43.34



Steel Sheaves with Bronze Bearings and Inserts (1-1/2" to 5")									
OD	Maximum Cable Size	Thread Diameter	Insert Bore	Sheave Width	Insert Width	Weight Lbs	WLL Lbs	Item #	Sell Price
1 1/2	3/16	1	1/4	7/16	1/2	0.2	525	100000	5.18
1 1/2	3/16	1	5/16	7/16	1/2	0.2	525	100001	5.18
1 1/2	3/16	1	3/8	7/16	1/2	0.2	525	100002	5.18
2	3/16	1 1/2	1/4	7/16	1/2	0.3	600	100004	6.59
2	3/16	1 1/2	5/16	7/16	1/2	0.3	600	100005	6.59
2	3/16	1 1/2	3/8	7/16	1/2	0.3	600	100006	6.59
2 1/2	1/4	2	1/4	7/16	1/2	0.5	685	100008	9.66
2 1/2	1/4	2	5/16	7/16	1/2	0.5	685	100009	9.66
2 1/2	1/4	2	3/8	7/16	1/2	0.5	685	100010	9.66
3	1/4	2 1/2	1/4	7/16	1/2	0.8	800	100012	12.36
3	1/4	2 1/2	5/16	7/16	1/2	0.8	800	100013	12.36
3	1/4	2 1/2	3/8	7/16	1/2	0.8	800	100014	12.36
3	5/16	2 1/2	1/4	7/16	1/2	0.8	800	100016	12.36
3	5/16	2 1/2	5/16	7/16	1/2	0.8	800	100017	12.36
3	5/16	2 1/2	3/8	7/16	1/2	0.8	800	100018	12.36
3 1/2	5/16	3	3/8	5/8	3/4	1.3	1150	100020	17.56
3 1/2	3/8	3	3/8	5/8	3/4	1.3	1550	100022	17.56
4	3/8	3 1/4	3/8	5/8	3/4	1.8	1700	100024	26.63
5	3/8	4 1/4	3/8	5/8	3/4	2.9	1850	100026	44.91



Steel Inserts (1-1/2" to 5")					
OD	Bore	Width	WLL	Item #	SP
1/2	1/4	1/2	N/A	100120	1.19
1/2	5/16	1/2	N/A	100122	1.19
1/2	3/8	1/2	N/A	100121	1.19
3/4	3/8	3/4	N/A	100123	1.55



eSheaves.com

Stock Price Sheet 2016.3

Sheaves Inc. 195 Leonard Drive, Unit 5, Groton, CT 06340

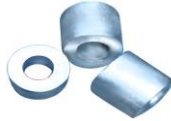
\$100 Minimum Order Requirement on Small Cable Sheave Orders

Prices/Specifications subject to change

sales@esheaves.com, T: 866.344.6774 F: 888.544.0163

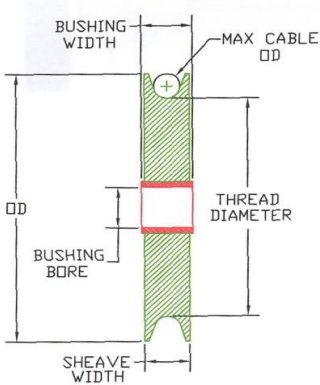
SMALL CABLE SHEAVES

1-1/2" to 5" STAINLESS STEEL SHEAVES



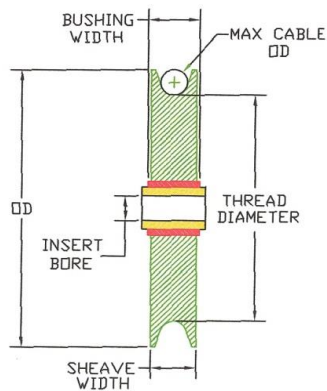
Note:

Ships from stock
 Turned from cold drawn bar stock
 Stainless Steel
 Bronze bearings are designed for high load and medium speed.
 Oil-impregnated for permanent self lubrication
 Also available in Zinc Electroplated Steel

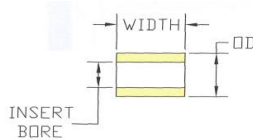


SS Sheaves with Bronze Bearings (1-1/2" to 5")									
OD	Maximum Cable Size	Tread Diameter	Bearing Bore	Sheave Width	Bearing Width	Weight Lbs	WLL Lbs	Item #	Sell Price
1 1/2	3/16	1	1/2	7/16	15/32	0.2	525	100071	13.79
2	3/16	1 1/2	1/2	7/16	15/32	0.3	600	100075	17.03
2 1/2	1/4	2	1/2	7/16	15/32	0.5	685	100079	21.05
3	1/4	2 1/2	1/2	7/16	15/32	0.8	800	100083	30.46
3	5/16	2 1/2	1/2	7/16	15/32	0.8	800	100087	30.46
3 1/2	5/16	3	3/4	5/8	11/16	1.3	1550	100089	41.89
3 1/2	3/8	3	3/4	5/8	11/16	1.3	1550	100091	41.89
4	3/8	3 1/4	3/4	5/8	11/16	1.8	1700	100093	52.08
5	3/8	4 1/4	3/4	5/8	11/16	2.9	1850	100095	77.96

Steel Sheaves with Bronze Bearings and Inserts (1-1/2" to 5")



SS Sheaves with SS Inserts (1-1/2" to 5")									
OD	Maximum Cable Size	Tread Diameter	Insert Bore	Sheave Width	Insert Width	Weight Lbs	WLL Lbs	Item #	Sell Price
1 1/2	3/16	1	1/4	7/16	1/2	0.2	525	100068	23.05
1 1/2	3/16	1	3/8	7/16	1/2	0.2	525	100070	23.05
2	3/16	1 1/2	1/4	7/16	1/2	0.3	600	100072	26.29
2	3/16	1 1/2	3/8	7/16	1/2	0.3	600	100074	26.29
2 1/2	1/4	2	1/4	7/16	1/2	0.5	685	100076	30.32
2 1/2	1/4	2	3/8	7/16	1/2	0.5	685	100078	30.32
3	1/4	2 1/2	1/4	7/16	1/2	0.8	800	100080	39.73
3	1/4	2 1/2	3/8	7/16	1/2	0.8	800	100082	39.73
3	5/16	2 1/2	1/4	7/16	1/2	0.8	800	100084	39.73
3	5/16	2 1/2	3/8	7/16	1/2	0.8	800	100086	39.73
3 1/2	5/16	3	3/8	5/8	3/4	1.3	1550	100088	55.16
3 1/2	3/8	3	3/8	5/8	3/4	1.3	1550	100090	55.16
4	3/8	3 1/4	3/8	5/8	3/4	1.8	1700	100092	65.35
5	3/8	4 1/4	3/8	5/8	3/4	2.9	1850	100094	91.22



SS Inserts (1-1/2" to 5")					
OD	Bore	Width	WLL	Item #	SP
1/2	1/4	1/2	N/A	100124	9.26
1/2	3/8	1/2	N/A	100125	9.26
3/4	3/8	3/4	N/A	100127	13.26



eSheaves.com

Stock Price Sheet 2016.3

\$100 Minimum Order Requirement on Small Cable Sheave Orders

Prices/Specifications subject to change

Sheaves Inc. 195 Leonard Drive, Unit 5, Groton, CT 06340

sales@esheaves.com, T: 866.344.6774 F: 888.544.0163

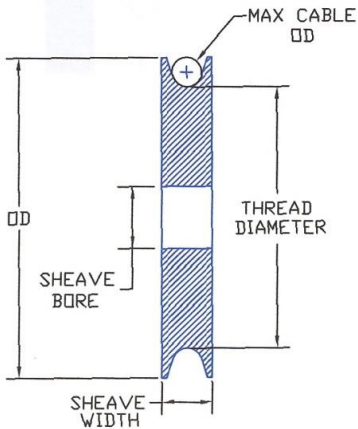
SMALL CABLE SHEAVES

4", 5" and 6" STEEL SHEAVES

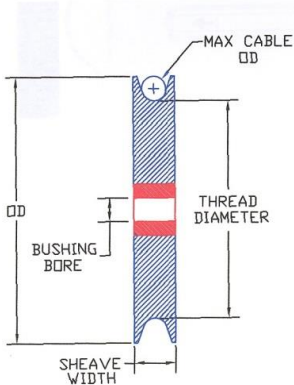


Note:

Ships from stock
 Turned from cold drawn bar stock
 Zinc Electroplated
 Ferrous Bronze Bearings -designed for high load & medium speed.
 Oil-impregnated for permanent self lubrication



Steel Sheaves without Bearings 4", 5" and 6"									
OD	Maximum Cable Size	Tread Diameter	Sheave Bore	Sheave Width	Weight Lbs	WLL Lbs	Item #	Sell Price	
4	3/16	3 5/8	7/8	17/32	1.69	N/A	100028	23.83	
4	1/4	3 5/8	7/8	17/32	1.69	N/A	100032	23.83	
4	5/16	3 3/8	7/8	21/32	1.83	N/A	100036	23.83	
5	5/16	4 3/8	1 1/4	7/8	3.94	N/A	100052	39.84	
6	5/16	5 3/8	1 1/4	7/8	6.00	N/A	100060	58.13	
4	3/8	3 3/8	7/8	21/32	1.83	N/A	100040	23.83	
5	3/8	4 3/8	1 1/4	7/8	3.94	N/A	100054	39.84	
6	3/8	5 3/8	1 1/4	7/8	6.00	N/A	100062	58.13	
4	7/16	3 1/8	7/8	25/32	2.00	N/A	100044	23.83	
5	7/16	4 1/8	1 1/4	7/8	3.56	N/A	100056	39.84	
6	7/16	5 1/8	1 1/4	7/8	5.63	N/A	100064	58.13	
4	1/2	3 1/8	7/8	25/32	2.00	N/A	100048	23.83	
5	1/2	4 1/8	1 1/4	7/8	3.56	N/A	100058	39.84	
6	1/2	5 1/8	1 1/4	7/8	5.63	N/A	100066	58.13	



Steel Sheaves with Bearings 4", 5" and 6"									
OD	Maximum Cable Size	Tread Diameter	Bearing Bore	Sheave Width	Bearing Width	Weight Lbs	WLL Lbs	Item #	Sell Price
4	3/16	3 5/8	1/2	17/32	17/32	1.75	1300	100029	26.97
4	3/16	3 5/8	5/8	17/32	17/32	1.74	1500	100030	26.97
4	3/16	3 5/8	3/4	17/32	17/32	1.71	1300	100031	26.97
4	1/4	3 5/8	1/2	17/32	17/32	1.75	1900	100033	26.97
4	1/4	3 5/8	5/8	17/32	17/32	1.74	1500	100034	26.97
4	1/4	3 5/8	3/4	17/32	17/32	1.71	1900	100035	26.97
4	5/16	3 5/8	1/2	21/32	21/32	1.88	2500	100037	26.97
4	5/16	3 5/8	5/8	21/32	21/32	1.87	2500	100038	26.97
4	5/16	3 5/8	3/4	21/32	21/32	1.86	2500	100039	26.97
5	5/16	4 3/8	3/4	7/8	7/8	4.09	2500	100053	41.98
5	5/16	4 3/8	7/8	7/8	7/8	4.07	2500	100096	44.67
5	5/16	4 3/8	1	7/8	7/8	4.02	2500	100097	44.67
5	5/16	4 3/8	1 1/8	7/8	7/8	3.98	2500	100115	44.67
6	5/16	5 3/8	3/4	7/8	7/8	6.15	2500	100104	62.95
6	5/16	5 3/8	7/8	7/8	7/8	6.13	2500	100105	62.95
6	5/16	5 3/8	1	7/8	7/8	6.08	2500	100061	62.95
6	5/16	5 3/8	1 1/8	7/8	7/8	6.04	2500	100118	62.95

Continued on next page



eSheaves.com

Stock Price Sheet 2016.3

\$100 Minimum Order Requirement on Small Cable Sheave Orders

Prices/Specifications subject to change

Sheaves Inc. 195 Leonard Drive, Unit 5, Groton, CT 06340

sales@esheaves.com, T: 866.344.6774 F: 888.544.0163

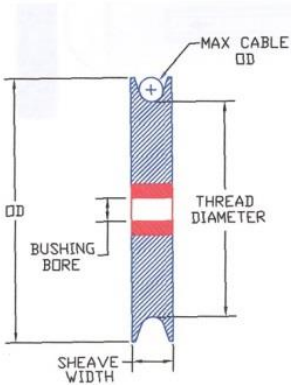
SMALL CABLE SHEAVES

4", 5" and 6" STEEL SHEAVES



Note:

- Ships from stock
- Turned from cold drawn bar stock
- Zinc Electroplated
- Ferrous Bronze Bearings - designed for high load & medium speed.
- Oil-impregnated for permanent self lubrication



Continued from previous page

Steel Sheaves with Bearings 4", 5" and 6"

OD	Maximum Cable Size	Tread Diameter	Bearing Bore	Sheave Width	Bearing Width	Weight Lbs	WLL Lbs	Item #	Sell Price
4	3/8	3 3/8	1/2	21/32	21/32	1.88	1300	100041	26.97
4	3/8	3 3/8	5/8	21/32	21/32	1.87	1600	100042	26.97
4	3/8	3 3/8	3/4	21/32	21/32	1.86	1900	100043	26.97
5	3/8	4 3/8	3/4	7/8	7/8	4.09	2500	100055	44.67
5	3/8	4 3/8	7/8	7/8	7/8	4.07	2500	100098	44.67
5	3/8	4 3/8	1	7/8	7/8	4.02	2500	100099	44.67
5	3/8	4 3/8	1 1/8	7/8	7/8	3.98	2500	100116	44.67
6	3/8	5 3/8	3/4	7/8	7/8	6.15	2500	100106	62.95
6	3/8	5 3/8	7/8	7/8	7/8	6.13	2500	100107	62.95
6	3/8	5 3/8	1	7/8	7/8	6.08	2500	100063	62.95
6	3/8	5 3/8	1 1/8	7/8	7/8	6.04	2500	100114	62.95
4	7/16	3 1/8	1/2	25/32	25/32	2.07	1500	100045	26.97
4	7/16	3 1/8	5/8	25/32	25/32	2.05	1900	100046	26.97
4	7/16	3 1/8	3/4	25/32	25/32	2.03	2300	100047	26.97
5	7/16	4 1/8	3/4	7/8	7/8	3.71	2500	100100	44.67
5	7/16	4 1/8	7/8	7/8	7/8	3.69	2500	100057	44.67
5	7/16	4 1/8	1	7/8	7/8	3.64	2500	100101	44.67
5	7/16	4 1/8	1 1/8	7/8	7/8	3.60	2500	100117	44.67
6	7/16	5 1/8	3/4	7/8	7/8	5.78	2500	100108	62.95
6	7/16	5 1/8	7/8	7/8	7/8	5.76	2500	100109	62.95
6	7/16	5 1/8	1 1/8	7/8	7/8	5.67	2500	100065	62.95
4	1/2	3 1/8	1/2	25/32	25/32	2.07	1500	100049	26.97
4	1/2	3 1/8	5/8	25/32	25/32	2.05	1900	100050	26.97
4	1/2	3 1/8	3/4	25/32	25/32	2.03	2300	100051	26.97
5	1/2	4 1/8	3/4	7/8	7/8	3.71	2500	100102	44.67
5	1/2	4 1/8	7/8	7/8	7/8	3.69	2500	100059	44.67
5	1/2	4 1/8	1	7/8	7/8	3.64	2500	100103	44.67
5	1/2	4 1/8	1 1/8	7/8	7/8	3.60	2500	100112	44.67
6	1/2	5 1/8	3/4	7/8	7/8	5.78	2500	100110	62.95
6	1/2	5 1/8	7/8	7/8	7/8	5.76	2500	100111	62.95
6	1/2	5 1/8	1	7/8	7/8	5.71	2500	100113	62.95
6	1/2	5 1/8	1 1/8	7/8	7/8	5.67	2500	100067	62.95

Need modifications to any of these sheaves?

We can add ball bearings for an additional cost.
 Tell us what you need and we'll give you a price and delivery quote, usually within 24 hours.
 Most modified sheaves ship within 3 working days, depending on bearing availability.



eSheaves.com

Stock Price Sheet 2016.3

Prices/Specifications subject to change

Sheaves Inc. 195 Leonard Drive, Unit 5, Groton, CT 06340

sales@esheaves.com, T: 866.344.6774 F: 888.544.0163