

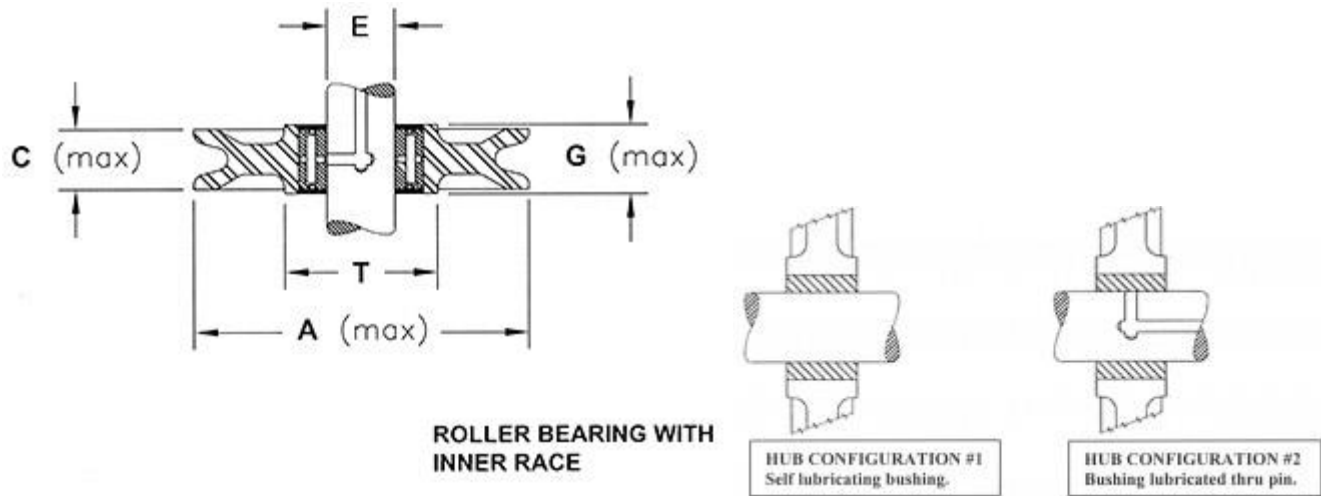
# Roller Bearing Sheaves With Inner Race

\*Material: D.I. – Ductile Iron / C.S. – Cast Steel / F.F. – ForgeFab™

ForgeFab™ will furnish sheaves to specified wire rope size within the minimum and maximum wire rope size indicated, at no additional charge.

**When Ordering Please Specify:**

·Nominal Sheave O.D. ·Model Number ·Wire Rope Size



Model Number	Part Number	Wire Rope Range				Material	Figure	Weight Pounds	A Outside Diameter Maximum	C Rim Width Maximum	E Shaft Nominal Dia	G Assembly Width Maximum	T Hub Outside Diameter Nominal
		Minimum		Maximum									
		inch	(mm)	inch	(mm)								
6-5A	452552	5/16	8.0	1	26.0	Ductile Iron	6	7	5.87	1.50	1.500	1.645	3.13
6-10A	452553	3/8	9.5	1	26.0	Steel	6	10	6.00	1.91	2.000	2.020	4.00
6.25-10A-SB		1/2	13.0	7/8	22.0	Ductile Iron	6	10	6.25	1.76	2.000	2.020	4.00
8-5A	452554	5/16	8.0	7/8	22.0	Ductile Iron	6	10	7.87	1.50	1.500	1.645	3.13
8-10A	452555	5/16	8.0	1 1/8	29.0	Ductile Iron	6	13	7.87	1.75	2.000	2.020	4.02
8-25A	452556	1/4	6.5	1 1/8	29.0	Cast Steel	6	18	8.00	2.44	2.250	2.510	4.00
10-3A	452557	3/16	6.5	3/4	19.0	Ductile Iron	6	13	10.00	1.50	1.250	1.570	2.88
10-5A	452558	5/16	8.0	1	26.0	Ductile Iron	6	13	10.00	1.56	1.500	1.645	2.88
10-10A	452559	5/16	8.0	1 1/8	29.0	Ductile Iron	6	23	9.87	1.75	2.000	2.020	4.00
10-25A	452560	3/8	9.5	1 1/2	38.0	Cast Steel	6	26	10.00	2.44	2.250	2.510	4.50
12-3A	452561	3/8	9.5	7/8	22.0	Ductile Iron	6	19	12.00	1.50	1.250	1.570	3.19
12-5A	452562	3/8	9.5	7/8	22.0	Ductile Iron	6	18	12.00	1.56	1.500	1.645	3.19
12-10A	452563	3/8	9.5	1 1/8	29.0	Ductile Iron	6	28	11.87	1.75	2.000	2.020	4.50
12-25A	452564	3/8	9.5	1 1/4	32.0	Cast Steel	6	28	12.00	2.31	2.250	2.510	4.50
14-3A	452565	5/16	8.0	3/4	19.0	Cast Steel	6	17	14.00	1.38	1.250	1.570	2.75

14-5A	452566	5/16	8.0	7/8	22.0	Cast Steel	6	22	14.00	1.56	1.500	1.645	2.81
14-10A	452567	3/8	9.5	1 1/8	29.0	Ductile Iron	6	34	13.87	1.78	2.000	2.020	4.50
14-25A	452568	7/16	11.0	1 3/8	35.0	Cast Steel	6	42	13.94	2.31	2.250	2.510	4.50
14-250A	452569	1/2	13.0	1 1/4	32.0	Cast Steel	7	51	13.88	2.56	3.000	2.641	6.00
16-10A	452570	3/8	9.5	1 1/8	29.0	Forge Fab	6	60	16.00	2.31	2.000	2.020	4.75
16-25A	452571	1/2	13.0	1 1/4	32.0	Forge Fab	6	65	16.00	2.31	2.250	2.510	5.50
16-250A	452572	1/2	13.0	1 1/8	29.0	Forge Fab	7	52	16.00	2.31	3.000	2.641	5.50
18-25A	452573	7/16	11.0	1 1/8	29.0	Forge Fab	7	66	18.00	2.12	3.000	2.641	5.50
18-250A	452574	1/2	13.0	1 1/8	29.0	Forge Fab	7	73	18.00	2.12	3.875	2.761	7.53
20-25A	452575	3/8	9.5	1 1/4	32.0	Forge Fab	7	101	20.00	2.31	3.000	2.641	5.50
20-30A		1	26.0	1 1/4	32.0	Forge Fab	6	96	20.00	2.31	3.500	2.510	6.50
20-250A	452576	9/16	14.5	1 1/8	29.0	Forge Fab	7	85	20.00	2.25	3.875	2.761	7.50
24-25A	452577	5/8	16.0	1 1/8	29.0	Forge Fab	7	109	24.00	2.19	3.000	2.641	5.50
24-30A		1 1/8	29.0	1 1/4	32.0	Forge Fab	6	134	24.00	2.31	3.500	2.510	6.50
24-250A	452578	5/8	16.0	1 3/8	35.0	Forge Fab	7	140	24.00	2.69	3.875	2.761	7.50
26-250A	452579	5/8	16.0	1 1/8	29.0	Forge Fab	7	129	26.00	2.31	3.875	2.761	7.50
30-250A	452580	1	26.0	1 3/8	35.0	Forge Fab	7	214	30.00	2.56	3.875	2.761	7.50
34-250A	455079	1 1/8	29.0	1 3/8	35.0	Forge Fab	7	254	34.00	2.69	3.875	2.763	7.50