

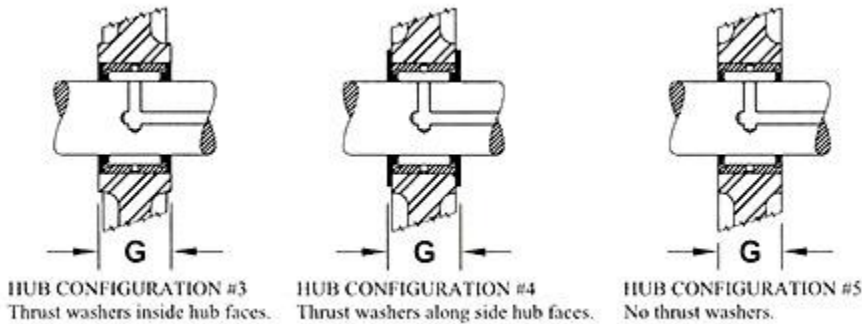
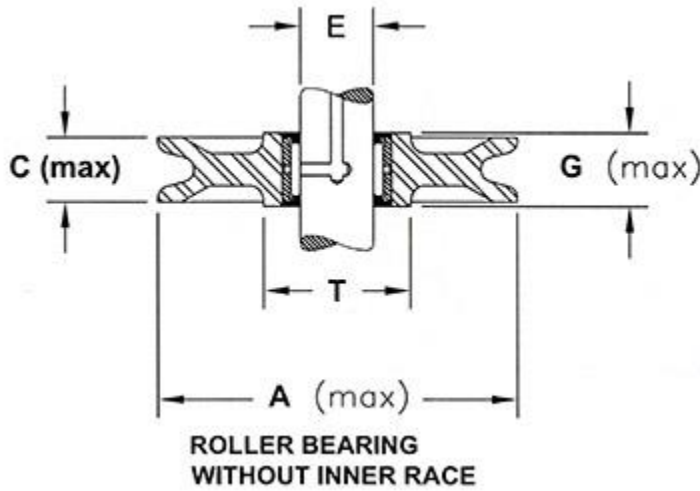
Roller Bearing Sheaves Without Inner Race

*Material: D.I. – Ductile Iron / F.F. – ForgeFab™

ForgeFab™ will furnish sheaves to specified wire rope size within the minimum and maximum wire rope size indicated, at no additional charge.

When Ordering Please Specify:

·Nominal Sheave O.D. ·Model Number ·Wire Rope Size



Model Number	Part Number	Wire Rope Range				Material	Weight	Outside Diameter	A	C	E	G	T
		Minimum		Maximum									
		inch	(mm)	inch	(mm)								
HFWR	452581	1/4	7	3/4	19	Ductile Iron	4.2	4.25	4.25	1.44	1	1.505	1.81
4-3C	452583	1/4	7	3/4	19	Ductile Iron	3.3	4.5	4.5	1.43	1	1.56	2
4.8-3C-SB		1/2	13	1/2	13	P. M.	4.8		4.52	1.4	1	1.55	2
6-3C	452584	1/4	7	3/4	19	Ductile Iron	6	6	6.12	1.44	1	1.562	2.75
8-3C	452585	1/4	7	3/4	19	Ductile Iron	8.5	8	8	1.5	1	1.562	2.5
10-10C	452586	5/16	8	1	26	Ductile Iron	21	10	9.87	1.8	2	1.75	4
10-10D	452587	3/8	10	7/8	22	Ductile Iron	22	10	9.87	1.75	2.5	2.01	4
12-10C	452589	5/16	8	1	26	Ductile Iron	27	12	11.87	1.8	2	1.75	4.5
12-10D	452590	3/8	10	7/8	22	Ductile Iron	27	12	11.87	1.75	2.5	2.01	4.5

12-3C	452588	3/8	10	1/2	13	Ductile Iron	17.8	12	12	1.5	1	1.56	3.19
14-10C	452591	3/8	10	1 1/8	29	Ductile Iron	32.1	14	13.87	1.8	2	1.75	4.5
14-10D	452592	3/8	10	1 1/8	29	Ductile Iron	33.5	14	13.87	1.78	2.5	2.01	4.5
16-10C	452593	3/8	10	1 1/8	29	Forge Fab	50	16	16	2.31	2.5	2.01	4.75
16-25C	452594	1/2	13	1 1/8	29	Forge Fab	59	16	16	2.31	3	2.5	4.75
16-25D	454487	1/2	13	1	26	Forge Fab	51.2	16	16	2.12	3.5	2.5	5.47
18-10D	458353	9/16	15	7/8	22	Forge Fab	62	18	18	1.94	2.5	2.01	4.75
18-25C	452595	1/2	13	1 1/8	29	Forge Fab	59	18	18	2.12	3	2.5	4.75
18-25D	452596	1/2	13	1 1/4	32	Forge Fab	74	18	18	2.44	3.5	2.5	6.5
18-250C	455080	5/8	16	1 1/8	29	Forge Fab	68.1	18	18	2.12	4.5	2.765	7.53
18-250D	455081	5/8	16	1	26	Forge Fab	72	18	18	2.06	5	2.75	8.53
20-25C	452597	9/16	15	1 1/8	29	Forge Fab	75	20	20	2.31	3	2.5	4.75
20-25D	452598	9/16	15	1 1/8	29	Forge Fab	76	20	20	2.19	3.5	2.5	5.5
20-250C	455082	5/8	16	1 1/8	29	Forge Fab	81	20	20	2.25	4.5	2.765	7.5
20-250D	455083	1	26	1 1/8	29	Forge Fab	85	20	20	2.25	5	2.75	8.53
24-25C	452599	3/4	19	1 1/8	29	Forge Fab	106	24	24	2.31	3	2.5	4.75
24-25D	452600	9/16	15	1 1/4	32	Forge Fab	131	24	24	2.31	3.5	2.505	5.5
24-250C	452601	3/4	19	1 1/4	32	Forge Fab	136	24	24	2.44	4.5	2.765	7.5
24-250D	452602	1/2	13	1 3/8	35	Forge Fab	146	24	24	2.69	5	2.75	8.5
26-250C	455084	7/8	22	1 1/8	29	Forge Fab	124	26	26	2.31	4.5	2.765	7.5
26-250D	455087	3/4	19	1	26	Forge Fab	133	26	26	2.31	5	2.75	8.53
30-250C	455086	1	26	1 3/8	35	Forge Fab	209	30	30	2.56	4.5	2.765	7.5
30-250D	455088	1	26	1 3/8	35	Forge Fab	209	30	30	2.56	5	2.75	8.5
34-250C	455089	1 1/8	29	1 1/8	29	Forge Fab	249	34	34	2.41	4.5	2.767	7.5