

NEED A WIRE ROPE SHEAVE IMMEDIATELY?

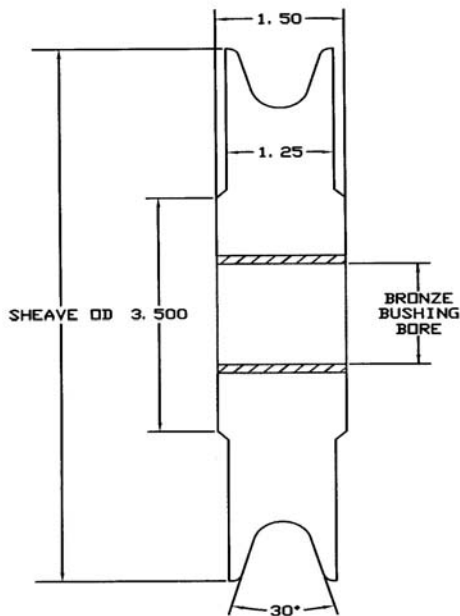
“Q” SHEAVES

WIRE ROPE SHEAVES THAT SHIP WITHIN 24 HOURS!

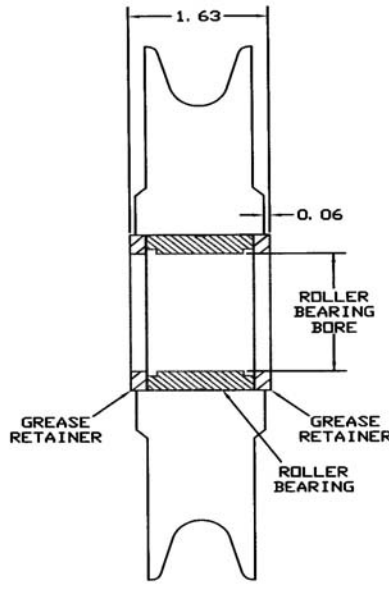
Material: Ductile Iron w/Black Primer Coating
 Available with Bronze Sleeve Bearings, Roller Bearings,
 and Roller Bearings with Inner Race

Nom OD	Wire Rope Sizes	Bearing Type	Nominal Shaft Size	List Price
6"	3/8, 7/16, 1/2, and 5/8	Bronze Bushed (1)(2)	1.00, 1.25, 1.50, 1.75, 2.00	\$189.00
8"	3/8, 7/16, 1/2, and 5/8	Bronze Bushed (1)(2)	1.00, 1.25, 1.50, 1.75, 2.00	\$209.00
10"	3/8, 7/16, 1/2, and 5/8	Bronze Bushed (1)(2)	1.00, 1.25, 1.50, 1.75, 2.00	\$234.00
12"	1/2 and 5/8	Bronze Bushed (1)(2)	1.00, 1.25, 1.50, 1.75, 2.00	\$259.00
6"	3/8, 7/16, 1/2, and 5/8	Roller Bearing (3)	1.50, 1.625, 1.75, and 2.00	\$215.00
8"	3/8, 7/16, 1/2, and 5/8	Roller Bearing (3)	1.50, 1.625, 1.75, and 2.00	\$234.00
10"	3/8, 7/16, 1/2, and 5/8	Roller Bearing (3)	1.50, 1.625, 1.75, and 2.00	\$269.00
12"	1/2 and 5/8	Roller Bearing (3)	1.50, 1.625, 1.75, and 2.00	\$295.00
6"	3/8, 7/16, 1/2, and 5/8	Roller Bearing w Inner Race (3)(4)	1.25, 1.375, 1.50, and 1.625	\$234.00
8"	3/8, 7/16, 1/2, and 5/8	Roller Bearing w Inner Race (3)(4)	1.25, 1.375, 1.50, and 1.625	\$259.00
10"	3/8, 7/16, 1/2, and 5/8	Roller Bearing w Inner Race (3)(4)	1.25, 1.375, 1.50, and 1.625	\$285.00
12"	1/2 and 5/8	Roller Bearing w Inner Race (3)(4)	1.25, 1.375, 1.50, and 1.625	\$315.00

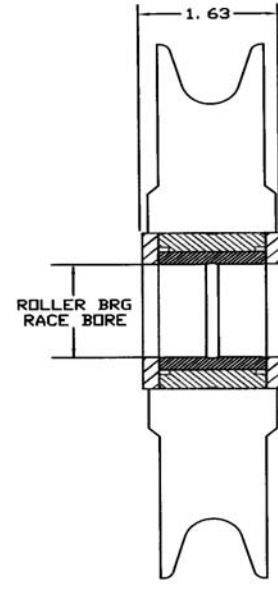
- Notes 1 All SAE 660 Bronze Bushings have Figure 8 Lubrication Grooves
 2 Other shaft sizes are available to ship within 72 hours.
 3 All roller bearings with & without races include Bronze Grease Retainers
 4 Optional Inner Races ship within 48 hours



BRONZE BUSHING



ROLLER BEARING



ROLLER BEARING w INNER RACE



Sheaves Inc.
 195 Leonard Drive, Unit 5
 Groton CT 06340

[<sales@eSheaves.com>](mailto:sales@eSheaves.com)
 Tel. 866 344 6774
 Fax 888 544 0168

NEED A WIRE ROPE SHEAVE IMMEDIATELY?

“Q” SHEAVES

WIRE ROPE SHEAVES THAT SHIP WITHIN 24 HOURS!

Material: 1045 HR Steel w/Blue Machinery Enamel
 Available with Bronze Sleeve Bearings, Roller Bearings,
 and Roller Bearings with Inner Race

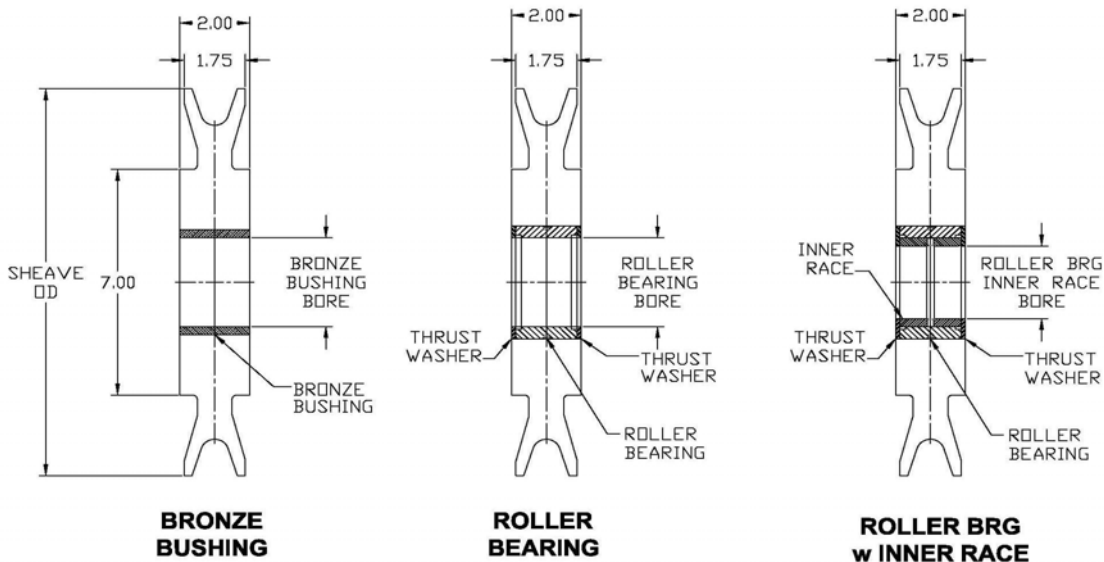
Nom OD	Wire Rope Sizes	Bearing Type	Nominal Shaft Size	List Price
12"	3/4, and 7/8	Bronze Bushed	2.00, 2.50, 3.00, 3.50 & 4.00	\$ 424.00
14"	5/8, 3/4, and 7/8	Bronze Bushed	2.00, 2.50, 3.00, 3.50 & 4.00	\$ 554.00
16"	3/4, 7/8 and 1	Bronze Bushed	2.00, 2.50, 3.00, 3.50 & 4.00	\$ 685.00
<hr/>				
12"	3/4, and 7/8	Roller Bearing	2.00, 2.50, 3.00, & 3.50	\$ 459.00
14"	5/8, 3/4, and 7/8	Roller Bearing	2.00, 2.50, 3.00, & 3.50	\$ 599.00
16"	3/4, 7/8 and 1	Roller Bearing	2.00, 2.50, 3.00, & 3.50	\$ 679.00
<hr/>				
12"	3/4, and 7/8	Roller Bearing with Inner Race	2.00, 2.50, & 3.00	\$ 499.00
14"	5/8, 3/4, and 7/8	Roller Bearing with Inner Race	2.00, 2.50, & 3.00	\$ 659.00
16"	3/4, 7/8 and 1	Roller Bearing with Inner Race	2.00, 2.50, & 3.00	\$ 739.00
<hr/>				
12"	3/4, and 7/8	Roller Bearing with Inner Race*	2.13, 2.25, & 2.38	\$ 499.00
14"	5/8, 3/4, and 7/8	Roller Bearing with Inner Race*	2.13, 2.25, & 2.38	\$ 659.00
16"	3/4, 7/8 and 1	Roller Bearing with Inner Race*	2.13, 2.25, & 2.38	\$ 739.00

Notes

rev. 05.10.10

- 1 All SAE 660 Bronze Bushings have Figure 8 Lubrication Grooves
- 2 Other shaft sizes are available to ship within 72 hours.
- 3 All roller bearings with & without races include Bronze Thrust Washers
- 4 *Optional Inner Races ship within 48 hours

SHEAVE CONFIGURATIONS



Sheaves Inc.
 195 Leonard Drive, Unit 5
 Groton CT 06340

[<sales@eSheaves.com>](mailto:sales@eSheaves.com)
 Tel. 866 344 6774
 Fax 888 544 0168