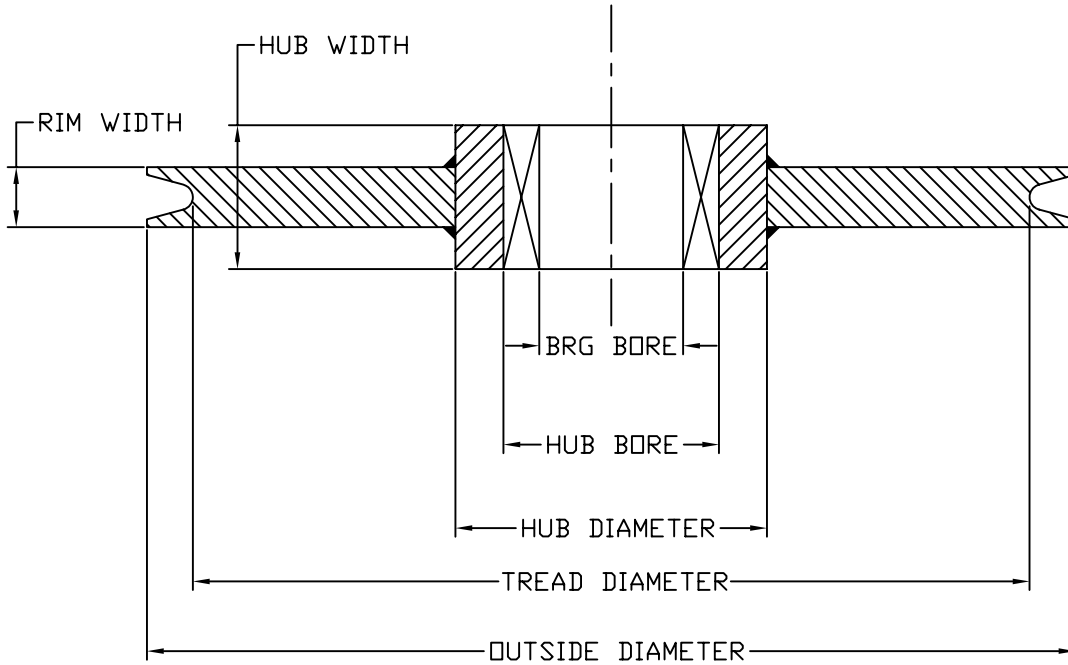




INQUIRY FORM FOR
WIRE ROPE SHEAVES

FAX COMPLETED FORM TO
+1-888-544-0168

Sheaves, Inc. 195 Leonard Dr Unit 5 Groton CT 06355 USA +1.866.344.6774



Customer Contact Name: _____
 Customer: _____
 Address: _____
 City, State, Zip: _____
 Telephone: _____
 Fax: _____
 E-mail: _____

DIMENSIONAL INFORMATION:

Nominal Outside Diameter
 Wire Rope Size
 Tread Diameter (Optional)
 Rim Width
 Bearing Bore
 or
 Shaft Size
 Hub Bore (If brg by customer)
 Hub Width
 Nominal Hub Diameter

BEARING TYPE:

Bronze Bushing
 Roller Bearing
 Tapered Roller Bearing
 Plain Bore
 Other _____

QUANTITY REQ'D

APPLICATION INFORMATION:

Line Pull: _____ Fleet angle: _____
 Line Speed: _____ Degree of Wrap: _____
 Environment: _____