

# Tapered Roller Bearing Sheaves

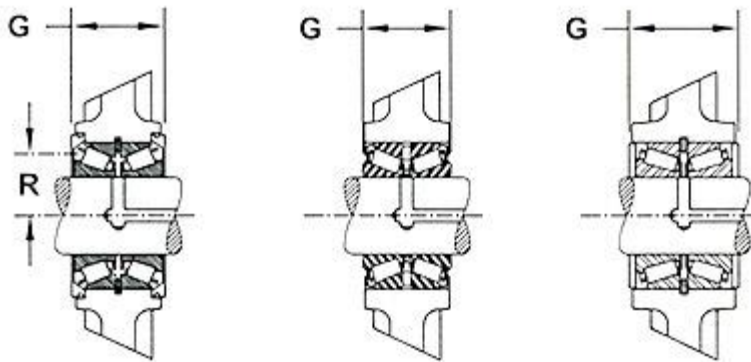
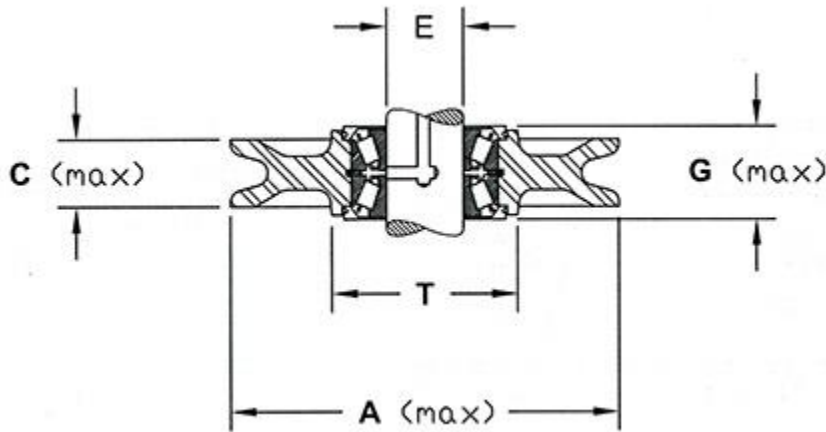
54" and larger diameters available on request.

\*Material: C.S. – Cast Steel / F.F. – ForgeFab™

ForgeFab™ will furnish sheaves to specified wire rope size within the minimum and maximum wire rope size indicated, at no additional charge.

**When Ordering Please Specify:**

- Nominal Sheave O.D.
- Model Number
- Wire Rope Size



HUB CONFIGURATION #8 O-ring seal    HUB CONFIGURATION #9 Sheave bearing seal    HUB CONFIGURATION #10 Grease shield

Model Number	Part Number	Wire Rope Range				Material	Figure	Weight	A	C	E	G	T	R
		Minimum	Maximum		lbs									
		inch	(mm)	inch	(mm)									
10-25T	452251	9/32	0	1	26	Cast Steel	10	22	10	2.02	2.13	2.17	4.5	-
12-25T	452252	3/8	9.5	1	26	Cast Steel	10	28	12	2.02	2.13	2.17	4.5	-
14-25T	452253	1/2	13	1 3/8	35	Cast Steel	10	40	13.8	2.02	2.13	2.17	4.5	-
16-25T	452254	1/2	13	7/8	22	Forge Fab	10	50	16	2.06	2.13	2.17	4.75	-

18-25T	452255	1/2	13	7/8	22	Forge Fab	10	61	18	2.06	2.13	2.17	4.75	-
18-25TM	453960	9/16	14.5	1 1/8	29	Forge Fab	8	67	18	2.12	2.63	2.94	5.5	2
18-250T	452246	1/2	13	1	26	Forge Fab	8	85	18	2.06	4.25	3.41	8.53	3
20-25T	452256	3/8	9.5	3/4	19	Forge Fab	10	75	20	1.81	2.13	2.17	4.75	-
20-25TM	453961	1/2	13	1 1/8	29	Forge Fab	8	79	20	2.31	2.63	2.94	5.5	2
20-250T	452247	5/8	16	1 1/8	29	Forge Fab	8	98	20	2.25	4.25	3.41	8.53	3
24-25T	452257	9/16	14.5	7/8	22	Forge Fab	10	104	24	1.94	2.13	2.17	4.75	-
24-25TM	453962	9/16	14.5	1 1/8	29	Forge Fab	8	102	24	2.19	2.63	2.94	5.5	2
24-250T	452248	9/16	14.5	1 1/8	29	Forge Fab	8	128	24	2.19	4.25	3.41	8.53	3
24-240T	455166	9/16	14.5	1 1/8	29	Forge Fab	9	128	24	2.19	4.25	3.51	8.53	-
26-250T	452249	5/8	16	1	26	Forge Fab	8	141	26	2.31	4.25	3.41	8.53	3
28-240T	455167	5/8	16	1	26	Forge Fab	9	158	28	2.31	4.25	3.51	8.5	-
30-250T	452250	3/4	19	1 1/4	32	Forge Fab	8	228	30	2.56	4.25	3.41	8.5	3
30-350T	452258	7/8	22	1 3/4	45	Forge Fab	8	304	30	3.56	6.5	3.81	11.5	3.94
34-250T	455168	1	26	1 1/4	32	Forge Fab	8	264	34	2.56	4.25	3.41	8.5	3
36-350T	452259	15/32	26	1 5/8	42	Forge Fab	8	440	36	3.56	6.5	3.81	11.5	3.94
42-350T	452260	1 3/8	35	1 3/4	45	Forge Fab	8	594	42	3.69	6.5	3.81	11.5	3.94
42-340T	455169	1 1/4	32	1 7/8	48	Forge Fab	9	593	42	3.69	6.5	3.78	11.5	-
48-350T	452261	1 3/8	35	2	52	Forge Fab	8	613	48	3.69	6.5	3.81	11.5	3.94
52-550T	455170	1 3/4	45	1 3/4	45	Forge Fab	9	903	52	3.69	8	3.78	14	-
52-560T	458453	1 1/2	38	1 1/2	38	Forge Fab	9	1004	52	3.56	9.25	4.66	17	-
52-560TA	458454	1 5/8	42	2	52	Forge Fab	9	962	52	4.31	10	4.03	17	-