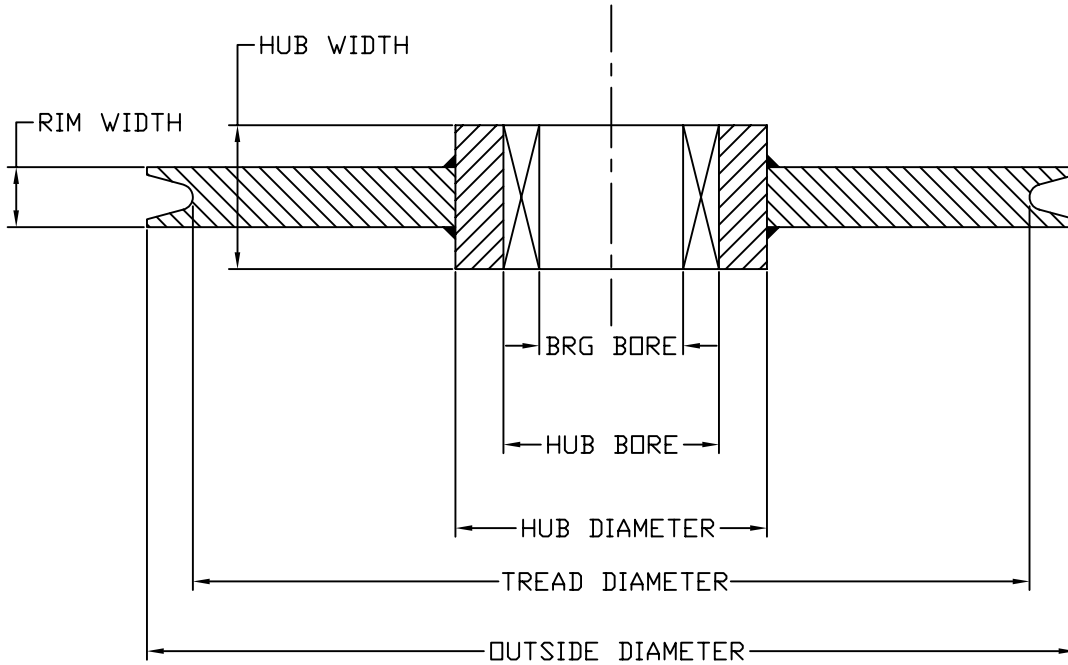




INQUIRY FORM FOR
WIRE ROPE SHEAVES

FAX COMPLETED FORM TO
+1-888-544-0168

Sheaves, Inc. 195 Leonard Dr Unit 5 Groton CT 06355 USA +1.866.344.6774



Customer Contact Name: _____
 Customer: _____
 Address: _____
 City, State, Zip: _____
 Telephone: _____
 Fax: _____
 E-mail: _____

DIMENSIONAL INFORMATION:

Nominal Outside Diameter	<input type="text"/>
Wire Rope Size	<input type="text"/>
Tread Diameter (Optional)	<input type="text"/>
Rim Width	<input type="text"/>
Bearing Bore	<input type="text"/>
or	
Shaft Size	<input type="text"/>
Hub Bore (If brg by customer)	<input type="text"/>
Hub Width	<input type="text"/>
Nominal Hub Diameter	<input type="text"/>

BEARING TYPE:

<input type="checkbox"/>	Bronze Bushing
<input type="checkbox"/>	Roller Bearing
<input type="checkbox"/>	Tapered Roller Bearing
<input type="checkbox"/>	Plain Bore
<input type="checkbox"/>	Other _____

QUANTITY REQ'D

APPLICATION INFORMATION:

Line Pull: _____	Fleet angle: _____
Line Speed: _____	Degree of Wrap: _____
Environment: _____	